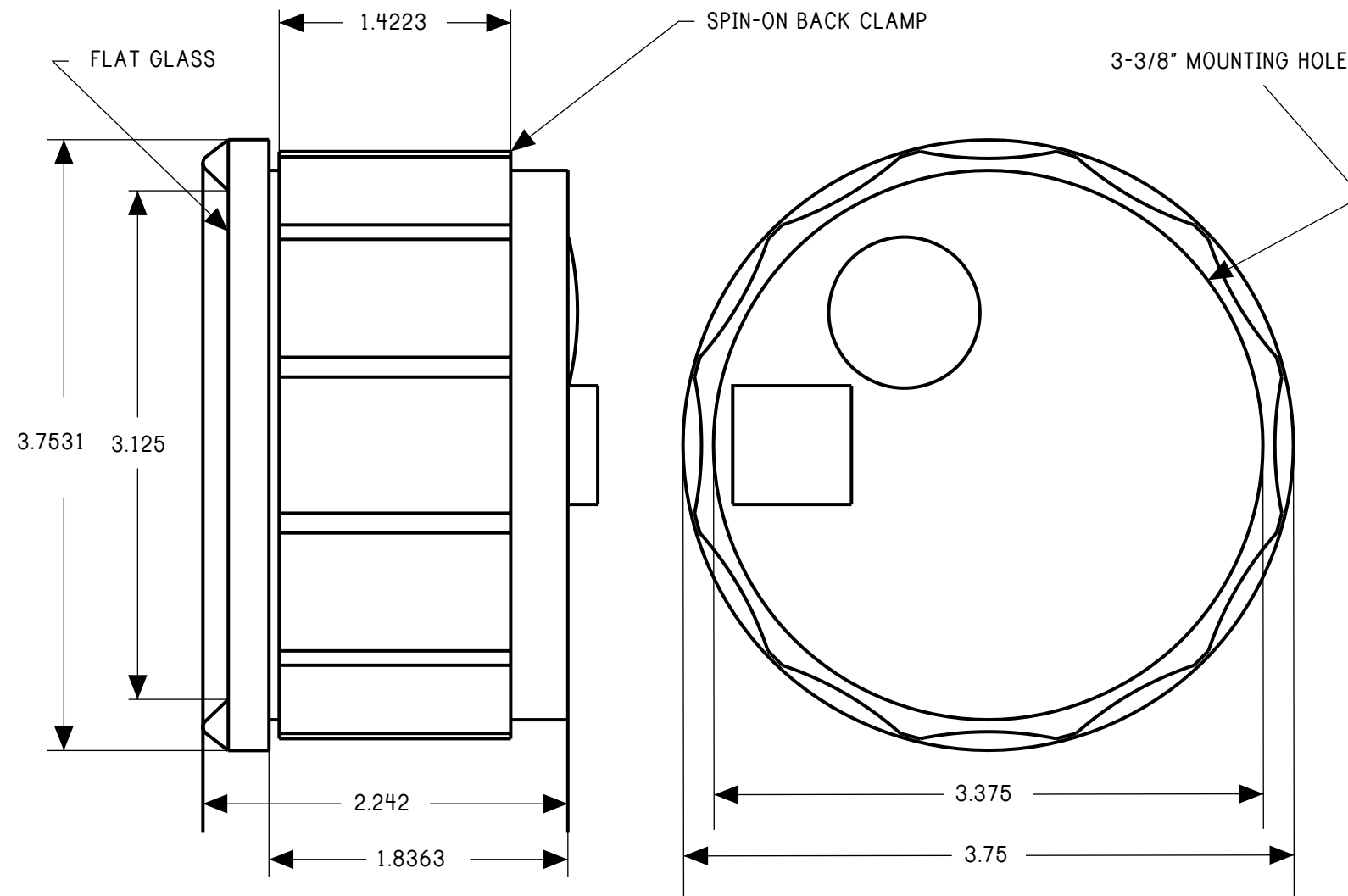
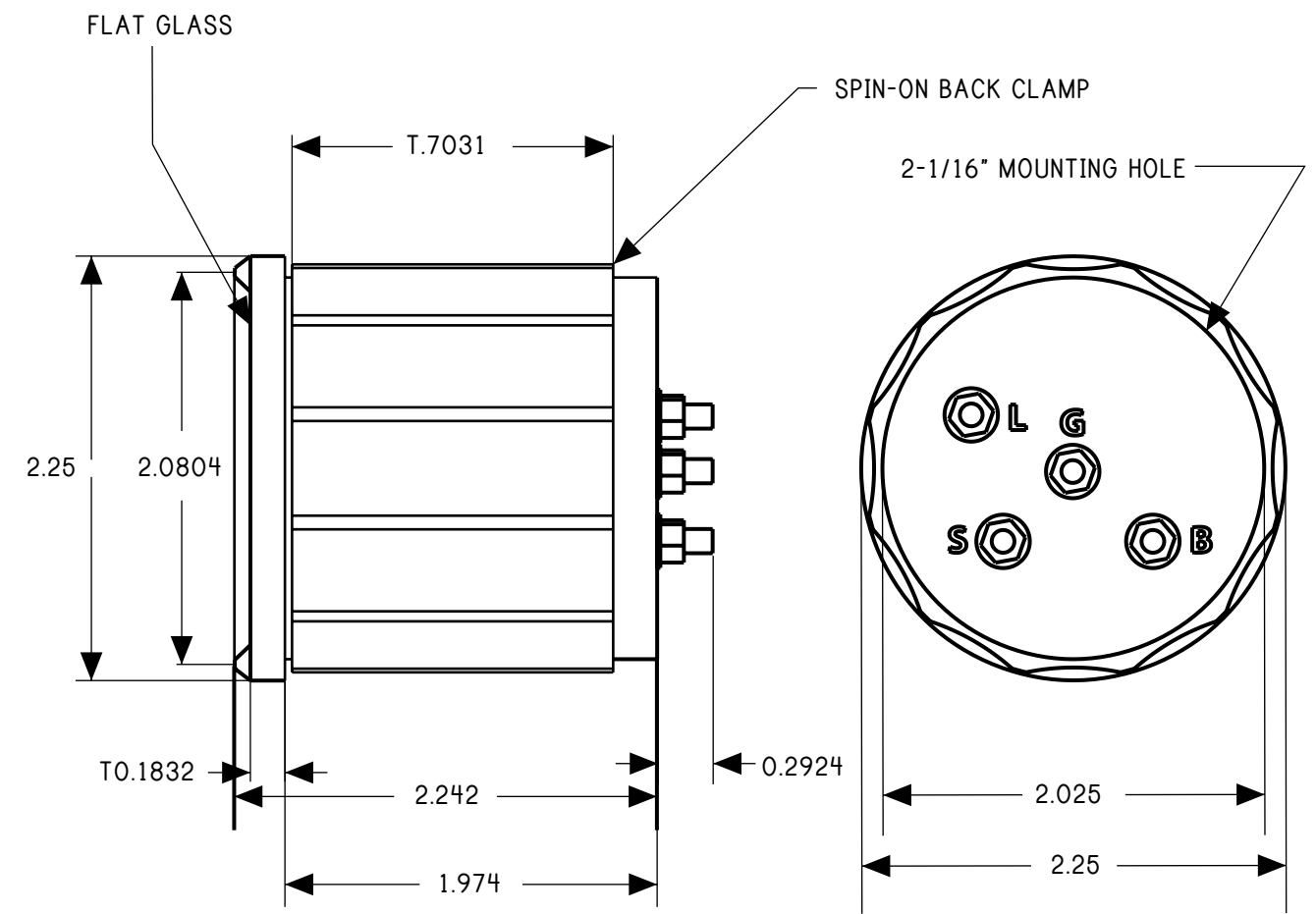


REV.	E.C.R.	DESCRIPTION	BY	DATE



HERITAGE 3-3/8" GAUGE



HERITAGE 2-1/16" GAUGE

<p>THIS DRAWING IS THE PROPERTY OF THE INFORMATION CONTAINED IN THIS DRAWING IS CONFIDENTIAL.</p> <p>THIS DRAWING AND THE INFORMATION CONTAINED IN THIS DRAWING MAY NOT BE COPIED OR USED, IN WHOLE OR IN PART, WITHOUT THE PRIOR WRITTEN PERMISSION OF NEW VINTAGE. COPYRIGHT ALL RIGHTS RESERVED</p>	I	I	SEE BOM			SEE ROUTER	
	ITEM	QTY.	MATERIAL			DESCRIPTION	
			APP'D	CH'D	DR'N.	TOLERANCE (UNLESS NOTED)	
			XX	XX	JC	1 PLACE ±.010 IN. 2 PLACE ±.008 IN. 3 PLACE ±.002 IN.	
			PART NAME HERITAGE SCALE INSTALL DRAWINGS			ANGULAR: GEOMETRY ±0.5° AND CHAMFER/COUNTERSINK ±1°	
		FILE NAME HERITAGE-DIMS.PDF					
		SCALE	DATE	HARDNESS	PAPER SIZE	REV.	
		1:1 (100%)	12/31/2017	AS SUPPLIED	A	A	SHEET NO. 1 OF 1